

Latitude

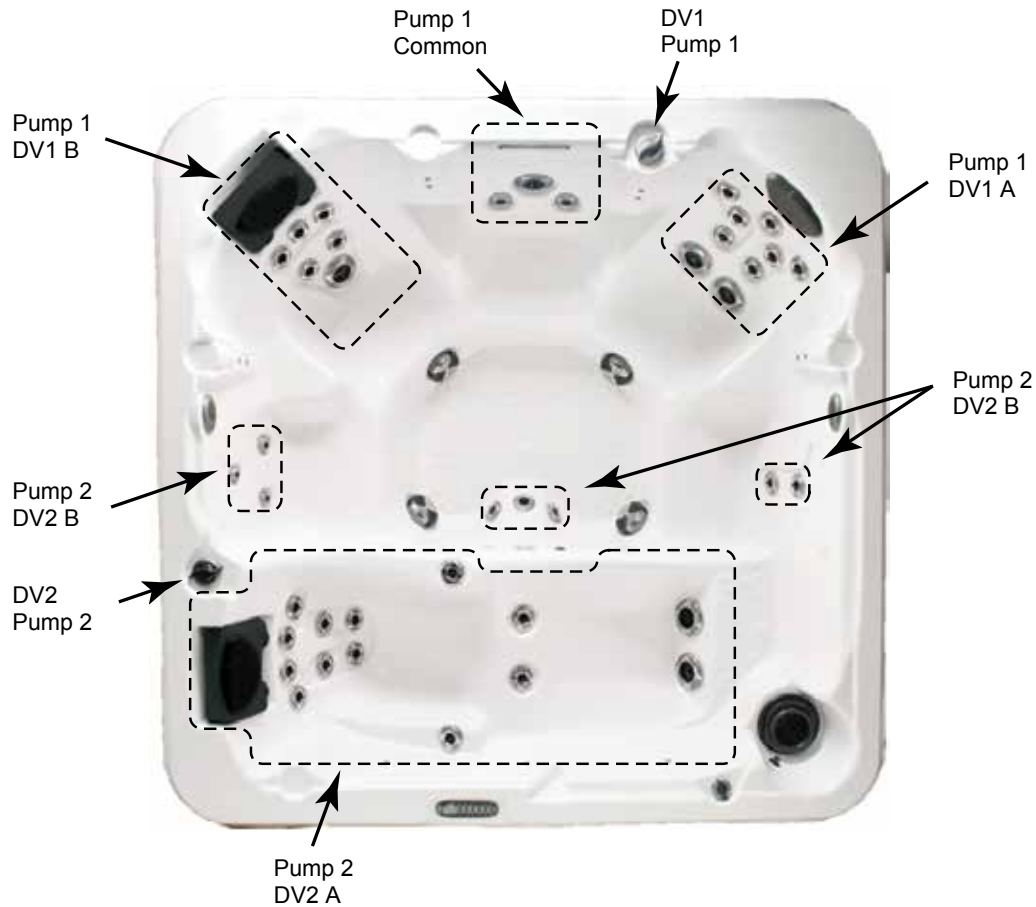
Seating Capacity	6 Adults	
Dimensions	91.25" x 91.25" x 36", (232 cm x 232 cm x 91 cm)	
Corner Radius	9" (23 cm)	
Dry Weight	710 lbs (322 kg)	
Filled Weight (Average Fill)	3,923 lbs (1,779 kg)	
Water Capacity (Average Fill)	385 US gallons (1,457 Liters)	
Shipping Weight	710 lbs (322 kg)	
	Export Shipping Weight:..... 760 lbs (345 kg)	
Electronic Controls	Programmable digital panel with LED readout	
Pump 1	North America (60 Hz): 2-Speed, 4.0 HP break, 2.5 HP continuous, 48 Frame	
	Export (50 Hz): 2-Speed, 2.0 HP continuous	
Pump 2	North America (60 Hz): 1-Speed, 4.0 HP break, 2.0 HP continuous, 48 Frame	
	Export (50 Hz): 1-Speed, 2.0 HP continuous	
Circulation Pump	Optional with ClearZone® Pro package	
Filtration (factory default)	2 Cycles for a total of 2 hours	
Heater	4.0 kW	
	Export (50Hz) 3.0 kW	
Total @Home Jets	44	
Seat 1 UltraLounge Jets	6 Mini Storm Rotator, 4 Mini Storm Directional, 2 Poly Storm Rifled, 2 Mini Storm Rifled, 2 Pillow Mini Directional	
Seat 2 Jets	3 Cluster Storm Rifled	
Seat 3 Jets	5 Mini Storm Rotator, 1 Power Storm Twister, 2 Pillow Mini Directional	
Seat 4 Jets	1 Power Storm Rifled, 2 Mini Storm Rifled	
Seat 5 Jets	3 Mini Storm Rotator, 4 Mini Storm Directional, 2 Power Storm Twister	
Seat 6 Jets	2 Mini Storm Rifled	
Footwell (7)	3 Mini Storm Directional	
Massage Selectors	2	
Special Features	2 Jet Therapy Pillow, Tactile Therapy	
Water Management System	One 75 ft ³ filter cartridge; 8" Weir	
	Optional ClearZone Pro Water Purification System	
LED Lighting	One multi Color LED footwell light	
	Optional Crystal FX™	
Synthetic Cabinet Colors	Adobe Tan, Stoneridge Grey, Mayan Brown, Terracina Cabinet (Optional) Driftwood, Cherry, Summer Pine, Vintage Cedar, Midnight Maple	
Acrylic Colors	Moonstone, UltraLife®, Sand, Sunstone, Smoked Marble, Blue Topaz, Gray Marble, Desert Stone	
Headrests	3 (1 standard; 2 Jet Therapy Pillow)	
Water Feature	Water fountain with independent flow rate (on or off) adjustment; powered by pump 1	
Electrical Requirements:	North America (60 Hz): 240 VAC@30A or 40A Export (50 Hz): 230 VAC@1x32A, 2x16A, 3x16A or suitably rated circuit breaker to comply with local electrical codes. Certain countries may require dual power inputs	
Warranty*	North America (60 Hz): Lifetime for UltraLife Shell Surface, 5 Years Acrylic Shell Surface, 3 Years Plumbing, 3 Years Equipment and Controls, 7 Years Cabinet, 1 Year Water Purification System, 2 Years for Jet Insert, 1 Year for Jet Escutcheon, 1 Year Lights, 6 Months for Stereo; Export (50 Hz): 10 Years for UltraLife Shell Surface, 5 Years Acrylic Shell Surface, 2 Years Plumbing, 2 Years Equipment and Controls, 2 Years Cabinet, 1 Year Water Purification System, 2 Years for Jet Insert, 1 Year for Jet Escutcheon, 1 Year Lights, 6 Months for Stereo	
Audio System (Optional)	Stereo system with Bluetooth capability; 2 premium speakers and a subwoofer	

**Optional
escutcheon jets**

*(See Warranty Document for Specific Details)

Latitude

Massage Selector Diagram



Note: Subject to change without notice.

1. All drains and skimmer tied in common loop

Legend:

- DV1 = Diverter Valve 1
- DV1 A = Diverter Valve 1 (A position clockwise)
- DV1 B = Diverter Valve 1 (B position counter clockwise)
- DV1 C = Diverter Valve 1 (C neutral position)
- DV2 = Diverter Valve 2
- DV2 A = Diverter Valve 2 (A position clockwise)
- DV2 B = Diverter Valve 2 (B position counter clockwise)
- DV2 C = Diverter Valve 2 (C neutral position)

Spa Operation Subject to Change without Notice

Seat Depths

- 1 = 26.00" (66.04 cm)
- 2 = 21.00" (53.34 cm)
- 3 = 27.00" (68.58 cm)
- 4 = 24.00" (60.96 cm)
- 5 = 29.00" (73.66 cm)
- 6 = 25.00" (63.50 cm)

- 7 = 31.00" (78.74 cm)

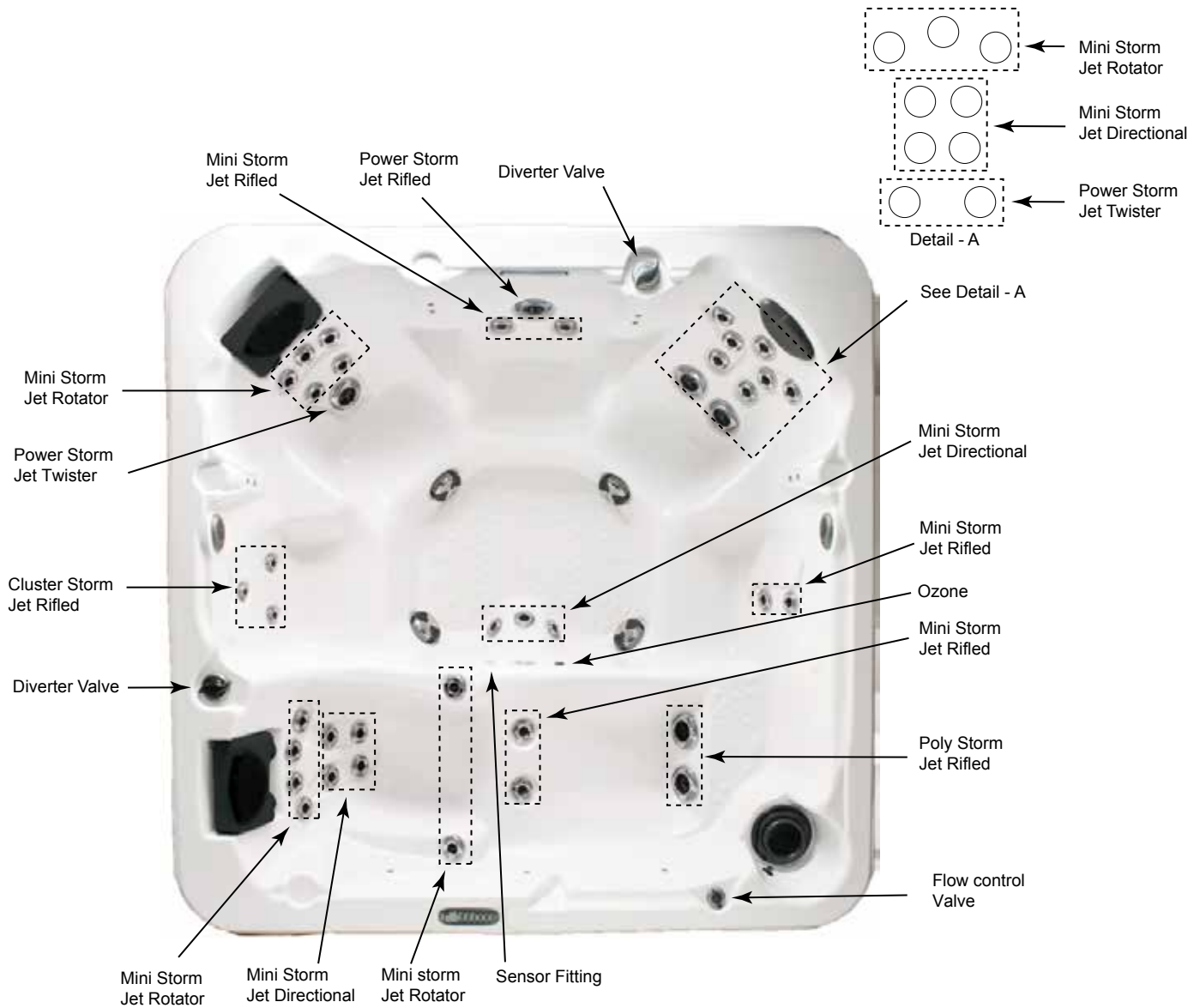
Listed dimensions represent distance from top of acrylic to lowest point in seat. Tolerance $\pm 0.5"$ (1.27 cm).



Dimensions/Specifications are Subject to Change Without Notice

Latitude

Jet Designation



Dimensions/Operation/Specifications are Subject to Change Without Notice

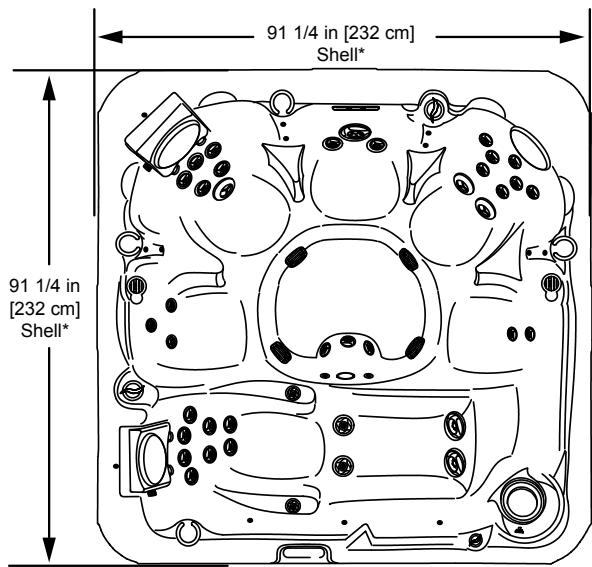
44 Total Jets (textured)



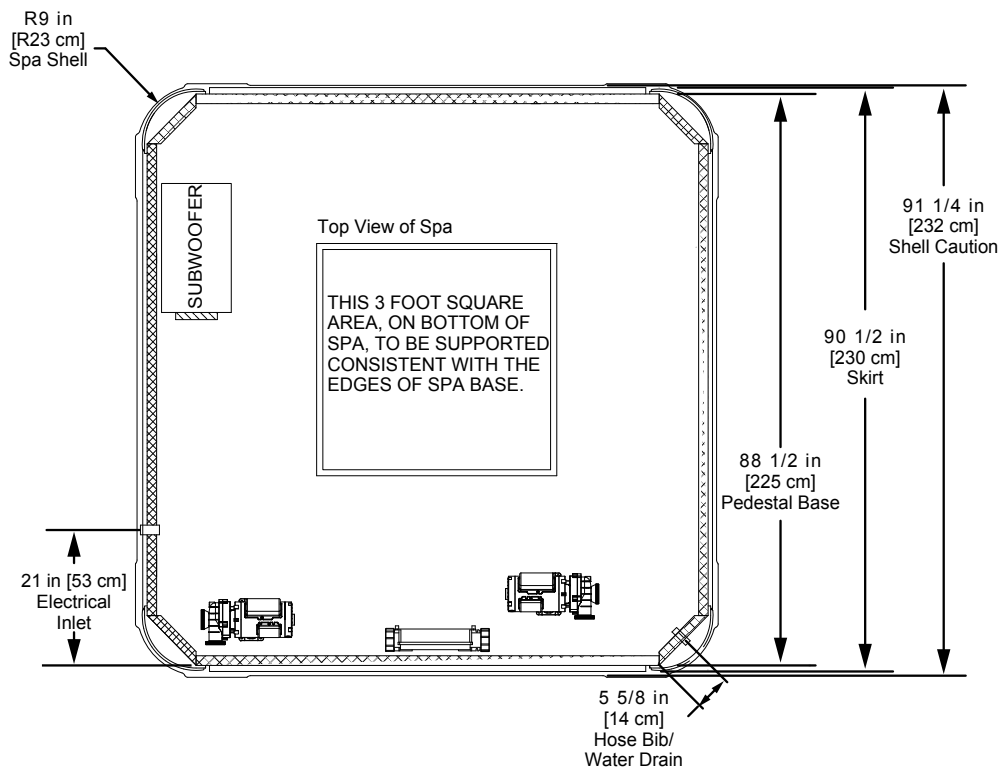
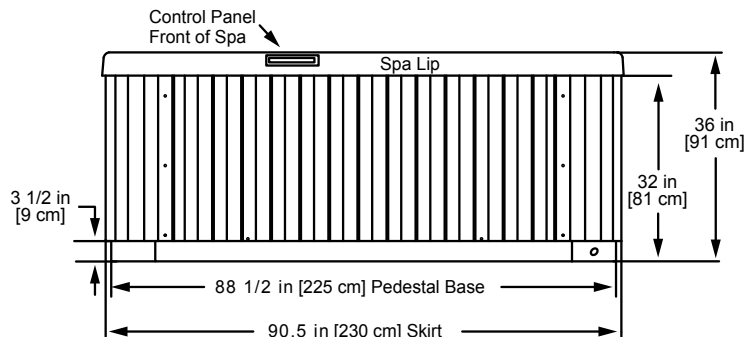
Total Jets



Latitude



Front View of Spa



- Note:
1. Subject to change without notice.
 2. Engineering specs may differ slightly from brochure.
 3. For E-Z lifter installation allow 18" clearances on the backside of the spa.
 4. Alternative cabinets may add significant weight. Ask your dealer for exact details.



***Caution:**

Due to manufacturing tolerances there could be some minor differences between the actual spa and the drawing above. **If site planning is critical to such tolerances, be sure to measure your actual spa.**

Dimensions/Specifications are Subject to Change Without Notice (Tolerance $\pm 0.5"$ [1.27 cm]).